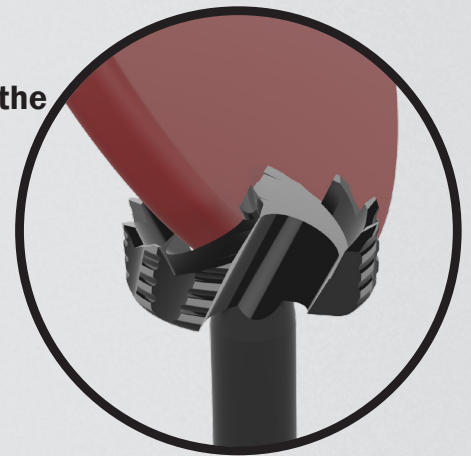
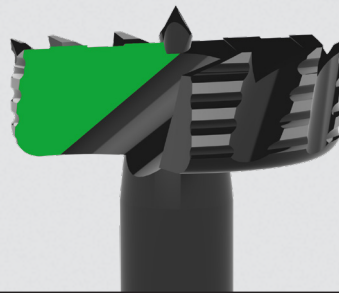
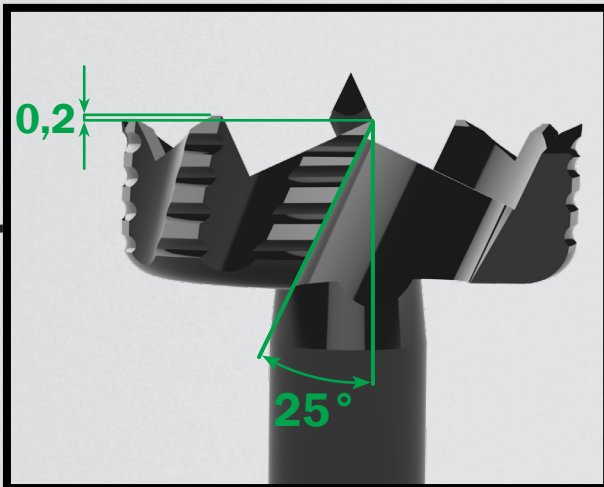


Bormax[®] 2.0

Sharpening Guide

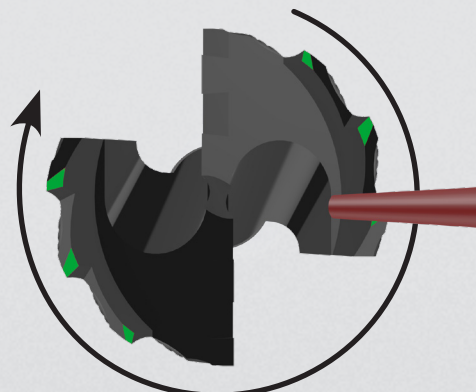
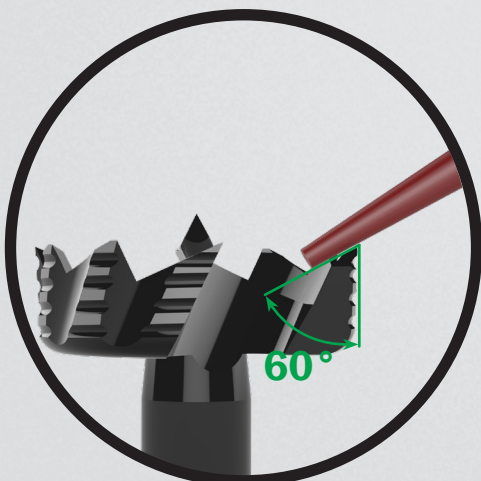
1. Grinding the main cutting edge:

Please just grind the bottom of the main cutting edge with a Korund grinding wheel (as shown in red on the right picture). The bottom of the main cutting edge is painted in green (picture below). Please do not grind the main cutting edge from the top side. This will damage the chip breakers and thereby the Bormax.



2. Grinding the taper tap:

The cutters of the circumference need to have all the same sharpness for an optimal cut. Grind the inner side of every cutter with a small rotating mounted point. It is very important that the taper tap (first teeth behind the main cutting edge) lies 0.2 mm above the main cutting edge.



Safety arrangements:

We urgently recommend to let the Bormax[®] grind by an expert or a declared sharpening service. The Bormax[®] will lose its functionality if its geometries can not be kept.